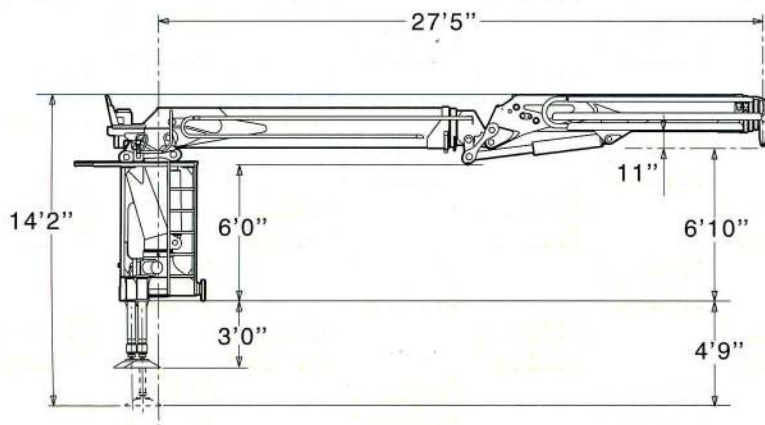


**CERTIFIED
DYNAMIC
PERFORMANCE**

- US Dynamic load diagrams calculated, tested and certified to lift the loads at the declared reaches unless indicated
- FR Diagrammes de charge dynamiques calculés, testés et certifiés pour soulever les charges aux extensions déclarées sauf indication
- ES Diagramas de carga dinámicos, calculados, probados y certificados para a elevación de la cargas a los alcances declarados a menos que se indique



INSTALLATION

MINIMUM TRUCK SPECS Tandem axle frame RBM 3.0 milion (per rail), W.B. 270" CA 206", FA 20,000 lbs, RA 40,000 lbs, GVW 60,000 lbs
RECOMMENDED TRUCK SPECS Tandem axle frame RBM 3.0 milion (per rail), W.B. 270" CA206", FA 20,000 lbs, RA 46,000 lbs, GVW 66,000 lbs

TECHNICAL DATA		F390SE.24
Lifting capacity	lbs.ft	202524
Standard reach	ft	78'11"
Hydraulic extension	ft	51'5"
Rotation arc		430°
Rotation torque	lbs.ft	49117
Working pressure	psi	4360
Pump capacity	gal/min	16+16
Oil tank capacity	gals	66
Outriggers spread crane	ft	22'6"
Supplementary outriggers	ft	16'4"
Degree of boom elevator		85°
Weight with supps		17,100 lbs

TECHNICAL DATA		F390SE.22
360° Rotation	sec.	60
Extension time	sec.	40+36
Retraction time	sec.	19+27
Inner boom elevation time	sec.	41
Outer boom elevation time	sec.	34

AVAILABLE CONTROL SYSTEMS

- Dual side cross over ground control with radio remote
- Top seat control
- Top seat control with optional radio remote

"FULL LIFT"* DELIVERY

"FULL LIFT"* DELIVERY		F390SE.22
Height**		90"
Radius		42'1"

* Wallboard Lift Weight 12' x 4' x ½" Standard Board Full Lift: 34 sheets: 2,872 lbs with Hydraulic Fork & Rotator - 3,842 lbs

**Measured at Boom Tip

RECOMMENDATION

Easily Attainable 360° Stability @ 118% of Rated Capacity when Properly Installed by your Local Authorized Fassi Dealer.